

# Shopfronts & Screens

## Doors:

A range of profiles is available to produce pivot swing doors, hinged pivot doors and sliding doors. Stiles are in sizes to suit doors for use in heavy traffic areas such as hospitals, schools, supermarkets, etc.

Doors are internally bead glazed for high security and are hung over low threshold or no threshold for wheelchair access and a safe pedestrian walkthrough. A full range of hardware and accessories is available in stock.

## Centre Pivot Swing Door:

A twin weather-stripped swing door offering the maximum offensive to foul weather conditions is suitable as a single door or double doors for installation into screen work or direct to building

Doors have a flat feature in inside face of stile allowing the fitment of various locking systems. The lock face is situated between lines or weather-stripping, thereby eliminating the need to break the seal about the locking area. The lock is securely mounted into stiles by means of unique fixing taps inserted into housing inside the stile. The lock face plate is flush with the surface of the stile.

Doors hung using concealed overhead transom door closers and floor to threshold pivot sets and security is offered by means of a high security hook bolt, which locks into armoured keeps set into mating outer frame jamb member or into slave stile when a pair of doors is required.

## Centre Pivot Swing Door With Anti-Finger Trap Device:

With the ever increasing demand for safety in use an antifinger trap device is included for use with the centre pivot swing door.

This device ensures that the hinged side of the door is always in contact with the outer frame jamb no matter what position the door is in during its opening mode.

This door offers the same qualities of twin weather-stripping as well as full range of hardware and accessories to suit.

## Hinged Pivot Door:

Having all the features of the pivot swing door, this door is hung by three face mounted hinges and incorporates a face mounted door closer and a rebate system along head and jambs. A full range of hardware and accessories to suit

## Sliding Doors:

Using standard Shopfront profiles, manual sliding doors can be constructed to suit commercial application. For full details please contact us on 0117 966 7661 to speak to one of our experienced staff.

## Automatic Door Operating System:

Working with Diahatsu the following automation can be incorporated into the doors:

**Sliding:** Surface mounted in-header and telescopic systems for door widths from 1 meter to 3 meters. Silent, unobtrusive and safe, they are ideal for entrances to public premises of all types.

**Swinging:** Electro-hydraulic surface mounted and electromechanical in-headre operation for entrances, halls, and corridors in hospitals, hotels, banks, shops and offices.

Architectural aluminium system designed especially to suit the needs of commercial ground floor treatments.

A proven system complying with the demands of architects, local authorities and property managers for projects around the UK.

## Features:

- ✓ Fully weather-stripped for high performance
- ✓ Suitable for single or double glazing
- ✓ Wide choice of paint or double glazing
- ✓ Choice of specialist hardware to suit all requirements
- ✓ Anti-finger trap stile
- ✓ Accommodates glazing from 6mm single to 28mm double glazed units or panels
- ✓ Choice of 75mm, 145mm, 200mm midrails
- ✓ Three anti-finger trap stile options
- ✓ Choice of six stile options to suit all hardware requirements
- ✓ Larger cleats



Call us on 0117 966 7661 or visit [www.westendwindows.co.uk](http://www.westendwindows.co.uk)

[www.westendwindows.co.uk](http://www.westendwindows.co.uk)

Tel: 0117 966 7661

Unit 8 & 9 Novers Hill Trading Estate | Novers Hill | Bedminster | Bristol | BS3 5QY

[info@westendwindows.co.uk](mailto:info@westendwindows.co.uk)

Fax: 0117 966 7773

 **West-End** WINDOWS  
Innovation since 1975

# Shopfronts & Screens

www.westendwindows.co.uk  
tel: 0117 966 7661

## Construction

Door jamb members are square cut to size and all relevant machining for lock cut-outs, hinge fixing and mechanical cleat fixing is carried out by means of router and punch tool technology. Horizontal members, such as top, bottom and middle rails, are square cut to size and all relevant machining for letter boxes, cleat location and hardware is carried by drill and punch tool technology. Unique mechanical cleats are located into jamb members and fixed in position by socket head screws. Horizontal members are pushed into position over the cleats and fixed. All finished joints offer exceptional strength ensuring a high performance door.

## Hardware

To offer maximum security against unlawful entry through the doors yet maintaining a pleasing appearance to the building WestEnd Windows would recommend the following or equivalent to be used:

## Centre Pivot Swing Doors

Adams Rite ARC-51 Overhead concealed door closer in a range of strengths for door widths  
Internal up to 1250mm  
External up to 1150mm  
A range of floor/threshold pivots are available for use with the overhead closer for door weights up to 200kgs. When wider doors are required, contact us on 0117 966 7661.

## Hinged Pivot Doors

Having all the features of the pivot swing door, this door is hung by face mounted hinges and incorporates a face mounted door closer and a rebate system along head and jambs. A full range of hardware and accessories is available to suit.

## Aluminium Profiles

Profiles are extruded from aluminium alloy 6063 T6 and comply with the recommendations of BS1474.

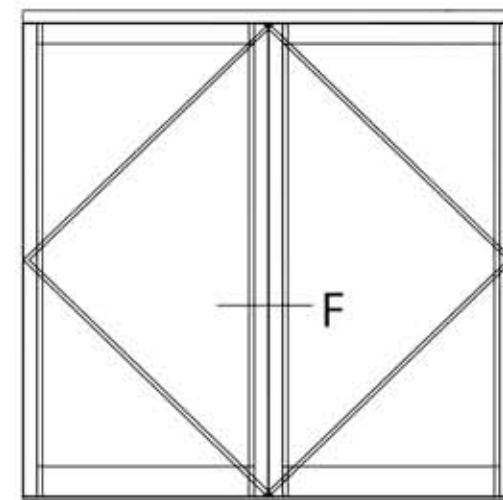
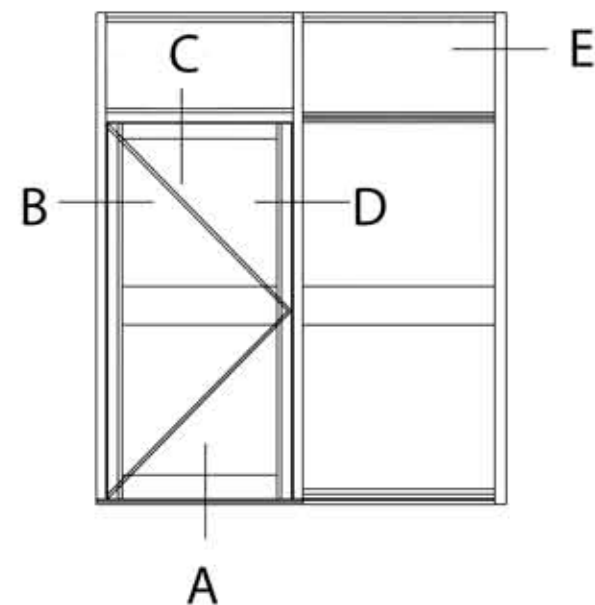
Sections are pre-tested and finished:

Anodised AA25 to BS3987 in a natural self colour and other agreed colours.

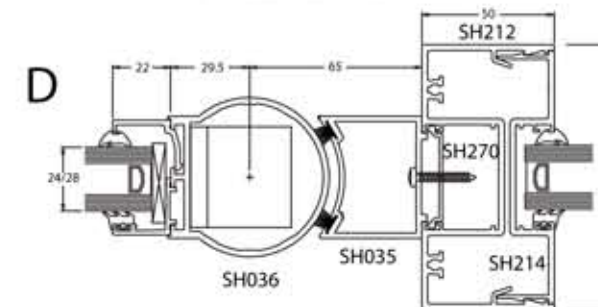
Polyester powder organic coating to BS6496 in agreed colours, matt or gloss finish.

## Security options

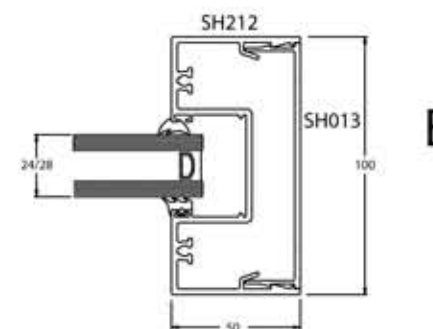
Adams Rite locking/security and in particular, the MS220 maximum security deadlock, hock bolt which, when used in conjunction with 4052 armored strike, offers formidable obstruction to the unlawful intrusion. The locking system is designed to accept any standard 17mm Europrofile cylinder/thumbturn or 22mm kaba round profile cylinder/thumbturn. Many locks, including armored flush bolt, multi-point locks, latch deadlocks together with reinforced strikes, are available for use in door frames and mating stiles to locks,



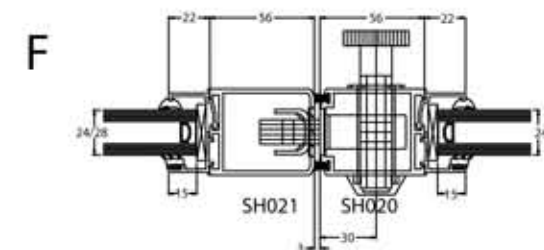
ANTI-FINGER TRAP  
STILE DETAIL



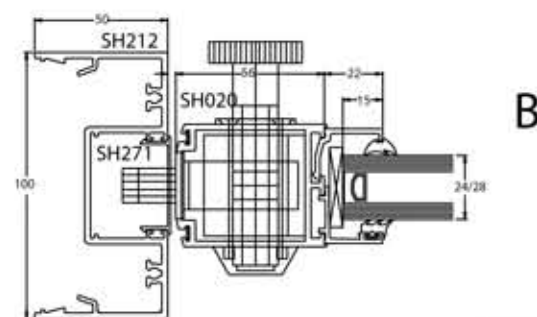
JAMB DETAIL



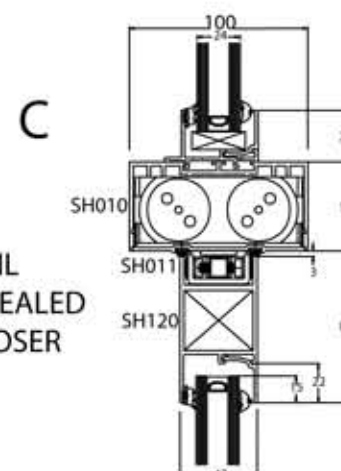
MEETING STILES-  
DOUBLE ACTION  
DOORS



LOCKSTILE DETAIL  
SHOWING  
THUMBTURN



HEAD DETAIL  
SHOWING CONCEALED  
OVERHEAD CLOSER



including armored flush bolt, multi-point locks, latch deadlocks, together with reinforced strikes, are available for use in door frames and mating stiles to meet all requirements. A full range of fire-rated exit devices and provision for emergency exit from inside the building by means of panic release horizontal crash bar, is available for single acting open-out doors. A range of push-pull pad handles are also available in anodised and paint finish and colours by agreement. There is also the option to use other desirable furniture. Commercial letter box sets in anodised and paint finish are available to complement the system.

## Glazing

Glass shall conform to the requirements of BS6262 for thickness and type, being either Pocket glazed or bead glazed, is set dry against EPDM PVC or nitrile gaskets. Glazing beads and gaskets will accommodate glass of 6mm, 7mm, 8mm, 9mm, 10mm, 11mm, 12mm, 24mm, 25mm, 26mm, 27mm, and 28mm nominal thickness and meet with the requirements of BS6262 Code of Practice for Glazing Buildings.

## Framework

Framework profiles, which join together, form an even sightline of 50mm on face with an inside to outside depth of 100mm. The system is shuffle glazed for normal installations and can be bead glazed for high security requirements where the glass is required to be glazed from the inside. Framework designed drainage sill to remove any ingress to moisture within the system.

## Construction

Profiles are square cut and a suitable small gap sealer is applied to the abutment faces and members jointed to each other by means of self-tapping screws driven into screw receptacles in the profiles. Excess sealer is then promptly removed. All fixings used in construction are either stainless or other suitable corrosion resistant material to provide resistance to both atmospheric and electrolytic corrosion. Drainage at sill is provided by incorporating 25mm x 5mm drainage slots.

## Product Range

Commercial screenwork and entrance doors to satisfy all ground floor treatments are manufactured to the required design. Size limitations of screen work or door is dependent on many factors such as type and weight of door, height of screenwork and the subsequent calculation results based on the mechanical strength of profiles, type of glazing used, location and height of building. WestEnd Windows is available at all times to discuss projects and provide help with design and specification of all aspects of ground floor treatments. We can provide assistance with the performance and design criteria of individual systems. Whilst the product range is one of the most comprehensive available, we are happy to discuss the production of new or modified products to meet specific project requirements.